

# Hyundai Warehouse Equipment

Electric Pallet truck, Electric Stacker and Manual Hand Pallet Truck

MOVING YOU FURTHER

HYUNDAI HEAVY INDUSTRIES



■ Photo may include optional equipment.

 **HYUNDAI**

---

Electric Pallet truck

# 15/18/20EP



■ Photo may include optional equipment.

---

## Standard Configurations

---

### 15EP

- Lifting Capacity : 1500 kg
- Brushless Drive Motor 0.9 kW
- Lifting Motor : 0.8 kW
- Drive Wheel : 195 x 70mm
- Double Polyurethane Load wheels wheel (size: 80 x 70 mm)
- Hourmeter, Battery Discharge Indicator (BDI) & lift cut off
- Overall Fork Width x Length : 550 mm x 1150 mm
- Turtle switch / crawl speed button
- Belly switch
- Gel battery
- Integrated charger
- Emergency switch
- Ergonomic tiller

### 18EP

- Lifting Capacity : 1800 kg
- AC Drive Motor 1.2 kW
- Lift motor 1.2 kW
- Curtis controller
- Drive wheel : 250 x 70mm
- Double Polyurethane Load wheel wheel (size: 80 x 70 mm)
- Hourmeter, Battery Discharge Indicator (BDI) & lift cut off
- Overall Fork Width x Length : 550 mm x 1150 mm
- Turtle switch / crawl speed button
- Ergonomic low-mounted tiller
- Side Battery Removal
- Emergency switch
- Belly switch

### 20EP

- Lifting Capacity : 2000 kg
- AC Drive Motor 1.2 kW
- Lift motor 1.2 kW
- Curtis controller
- Drive wheel : 250 x 70mm
- Double Polyurethane Load wheel wheel (size: 82 x 98 mm)
- Hourmeter, Battery Discharge Indicator (BDI) & lift cut off
- Overall Fork Width x Length : 550 mm x 1150 mm
- Turtle switch / crawl speed button
- Ergonomic low-mounted tiller
- Side Battery Removal
- Emergency switch
- Belly switch

## Advantages

---

### SAFETY AND PRODUCTIVITY

- AC technology gives high performance and low maintenance (no carbon brushes)
- Intelligent regenerative brake system for fast and efficient handling
- Side battery removal, for multiple shift operation
- Turtle mode switch, for safe maneuverability with tiller in upright position
- Proportional speed control ensures precise operation
- Anti roll-back on gradients (parking brake)

### STRUCTURE DESIGN

- The motor structure is resistant to dust and moisture
- Improved lateral stability thanks to spring applied castor wheels
- Torsion resistant forks, welded type

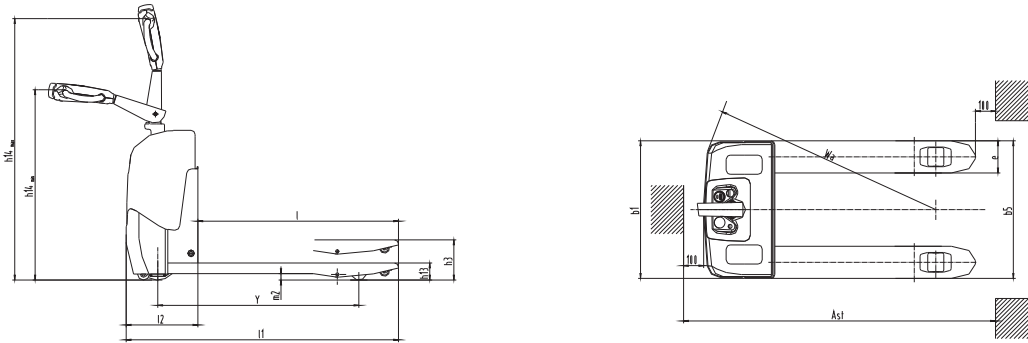
### SERVICEABILITY

- Increased serviceability by CANbus technology
- Grease fittings on all pivot points increase durability
- Easy access to all components thanks to removal of only 1-piece front cover

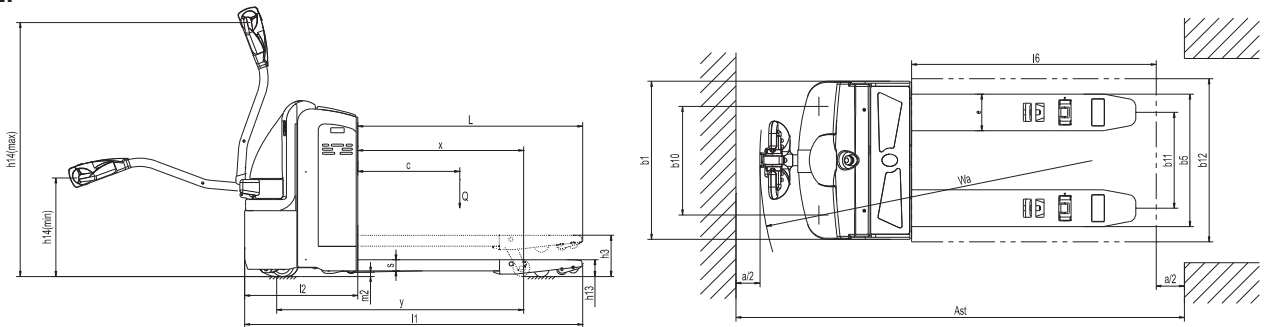
# Electric Pallet truck

## Dimensions

### 15EP



### 18/20EP



## Option

### 15EP

- Loadguard 1220 mm
- Fork length (mm): 900; 1000; 1220
- Single PU Load Wheels (fork wheel size 80 x 70 mm)

### 18EP

- Integrated Charger (24V / 15A)
- Battery trolley
- Foot protection strip
- Keyless ignition (keypad)
- Loadguard 1220 mm
- Fork length (mm): 800; 900; 1000; 1220; 1600; 1800; 2400 mm  
(1800; 2400 : rated load capacity 1.5t)

### 20EP

- Single PU load wheels (size 82 x 98)
- Integrated Charger (24V / 15A)
- Battery trolley
- Foot protection strip
- Keyless ignition (keypad)
- Loadguard 1220 mm
- Fork length (mm): 800; 900; 1000; 1220; 1600; 1800; 2400 mm  
(1800; 2400 : rated load capacity 1.5t)

## Specification (according to VDI 2198)

| Characteristics  |  |       |      |                       |                       |                       |
|------------------|--|-------|------|-----------------------|-----------------------|-----------------------|
| 1.1              | manufacturer (abbreviation)                                |       |      | Hyundai               | Hyundai               | Hyundai               |
| 1.2              | Model  |       |      | 15EP                  | 18EP                  | 20EP                  |
| 1.3              | Drive type   |       |      | electric              | electric              | electric              |
| 1.4              | Operator type  |       |      | pedestrian            | pedestrian            | pedestrian            |
| 1.5              | Load capacity/rated load                                   | Q     | kg   | 1500                  | 1800                  | 2000                  |
| 1.6              | Load center distance                                       | c     | mm   | 600                   | 600                   | 600                   |
| 1.8              | Load distance  | x     | mm   | 886 / 956             | 856                   | 815 / 865 / 935       |
| 1.9              | Wheelbase  | y     | mm   | 1152 / 1222           | 1200                  | 1211 / 1261 / 1331    |
| Weight           |  |       |      |                       |                       |                       |
| 2.1              | Service weight(with battery)                               |       | kg   | 230                   | 520                   | 620                   |
| 2.2              | Axle load, front/rear, loaded                              |       | kg   | 442 / 1288            | 720 / 1600            | 1170 / 1450           |
| 2.3              | Axle load, front/rear, unloaded                            |       | kg   | 200 / 30              | 420 / 100             | 470 / 150             |
| Wheels/Chassis   |  |       |      |                       |                       |                       |
| 3.1              | Tyres: solid rubber, superelastic, pneumatic, polyurethane |       |      | polyurethane          | polyurethane          | polyurethane          |
| 3.2              | Tyre size, front   |       |      | Φ 195 x 70            | Φ 250 x 70            | Φ 250 x 70            |
| 3.3              | Tyre size, rear  |       |      | Φ 80 / Φ 70           | Φ 80 x 70             | Φ 82 x 126            |
| 3.4              | Additional wheels(dimensions)                              |       |      | Φ 60 x 35             | Φ 114 x 60            | Φ 127 x 57            |
| 3.5              | Wheels number, front/rear (x = driven wheels)              |       |      | 1x -2/4               | 1x +2/4               | 1x +2/2               |
| 3.6              | Tread, front   | b10   | mm   | 195                   | 476                   | 510                   |
| 3.7              | Tread, rear  | b11   | mm   | 80 / 74               | 400                   | 340 / 370 / 470 / 505 |
| Dimension        |  |       |      |                       |                       |                       |
| 4.4              | Lift height  | h5    | mm   | 105 / 115             | 120                   | 120                   |
| 4.9              | Min. /Max. height of operation handle, in driving position | h14   | mm   | 950 / 1310            | 780 / 1230            | 780 / 1230            |
| 4.15             | Height, lowered  | h13   | mm   | 85 / 75               | 84                    | 82                    |
| 4.19             | Overall length   | l1    | mm   | 1525 / 1595           | 1651                  | 1655 / 1705 / 1775    |
| 4.20             | Length to fork face  | l2    | mm   | 373                   | 500                   | 555                   |
| 4.21             | Overall width of truck body                                | b1    | mm   | 685                   | 682                   | 775                   |
| 4.22             | Fork dimension   | s/e/l | mm   | 53 x 160 x 1150       | 54 x 150 x 1150       | 54 x 180 x 1150       |
| 4.25             | Overall width of fork                                      | b5    | mm   | 520 / 550 / 685       | 550                   | 520 / 550 / 650 / 685 |
| 4.32             | Wheelbase ground distance                                  | m2    | mm   | 32 / 22               | 28                    | 28                    |
| 4.33             | Aisle width, with pallet 1000 x 1200 crosswise             | Ast   | mm   | 1725 / 1795           | 1863                  | 2015 / 2065 / 2135    |
| 4.34             | Aisle width, with pallet 800 x 1200 lengthwise             | Ast   | mm   | 1775 / 1795           | 1913                  | 2115 / 2115 / 2135    |
| 4.35             | Turning radius   | Wa    | mm   | 1347 / 1415           | 1367                  | 1400 / 1450 / 1520    |
| Performance Data |  |       |      |                       |                       |                       |
| 5.1              | traveling speed, loaded/unloaded                           |       | km/h | 5.3 / 5.8             | 6 / 6                 | 5.5 / 5.6             |
| 5.2              | Lifting speed, loaded/unloaded                             |       | m/s  | 0.035 / 0.045         | 0.06 / 0.11           | 0.039 / 0.056         |
| 5.3              | Lowering speed, loaded/unloaded                            |       | m/s  | 0.08 / 0.037          | 0.12 / 0.13           | 0.064 / 0.050         |
| 5.7              | Gradeability, loaded/unloaded                              |       | %    | 5 / 15                | 8 / 20                | 6 / 12                |
| 5.10             | traveling brake  |       |      | electromagnetic brake | electromagnetic brake | electromagnetic brake |
| Motor            |  |       |      |                       |                       |                       |
| 6.1              | Driving motor power  |       | kW   | 0.9                   | 1.2                   | 1.2                   |
| 6.2              | Lifting motor power  |       | kW   | 0.8                   | 1.2                   | 1.2                   |
| 6.4              | Battery voltage/rated capacity                             |       | V/Ah | 24 / 80               | 24 / 160              | 24 / 210              |
| 6.5              | Battery weight   |       | kg   | 49                    | 160                   | 170                   |

---

Electric Pallet truck

# 20/25EPR



■ Photo may include optional equipment.

---

## Standard Configurations

---

### 20EPR

- Lifting Capacity : 2000 kg
- AC Drive Motor 1.5 kW (9 km/h)
- Lift motor 1.2 kW
- Curtis controller
- Drive wheel : 250 x 70 mm
- Double Polyurethane load wheels; wheel size 82 x 98mm
- Hourmeter, battery discharge indicator (BDI) & lift cut off
- Overall Fork Width x Length : 550 mm x 1150 mm
- Turtle switch / crawl speed button
- Tiller head with big control buttons
- Side Battery Removal
- EPS (Electric Power Steering)
- Stand on platform

### 25EPR

- Lifting Capacity : 2500 kg
- AC Drive Motor 1.5 kW (6 Km/h)
- Lift motor 1.2 kW
- Curtis controller
- Drive wheel : 250 x 70 mm
- Double Polyurethane Load wheel wheel size 82 x 98 mm
- Hourmeter, battery discharge indicator (BDI) & lift cut off
- Overall Fork Width x Length : 550 mm x 1150 mm
- Turtle switch / crawl speed button
- Tiller head with big control buttons
- Side Battery Removal
- EPS (Electric Power Steering)
- Stand on platform

## Advantages

---

### SAFETY AND PRODUCTIVITY

- AC technology gives high performance and low maintenance (no carbon brushes)
- Intelligent regenerative brake system: increase overall truck performance.
- Side battery removal, for multiple shift operation
- Turtle mode switch, for safe maneuverability with tiller in upright position
- Proportional travel speed control
- Anti roll-back on gradients
- Effortless steering (EPS), less fatigue
- Automatic speed reduction relative to steer angle
- Suspended platform for comfortable operation

### STRUCTURE DESIGN

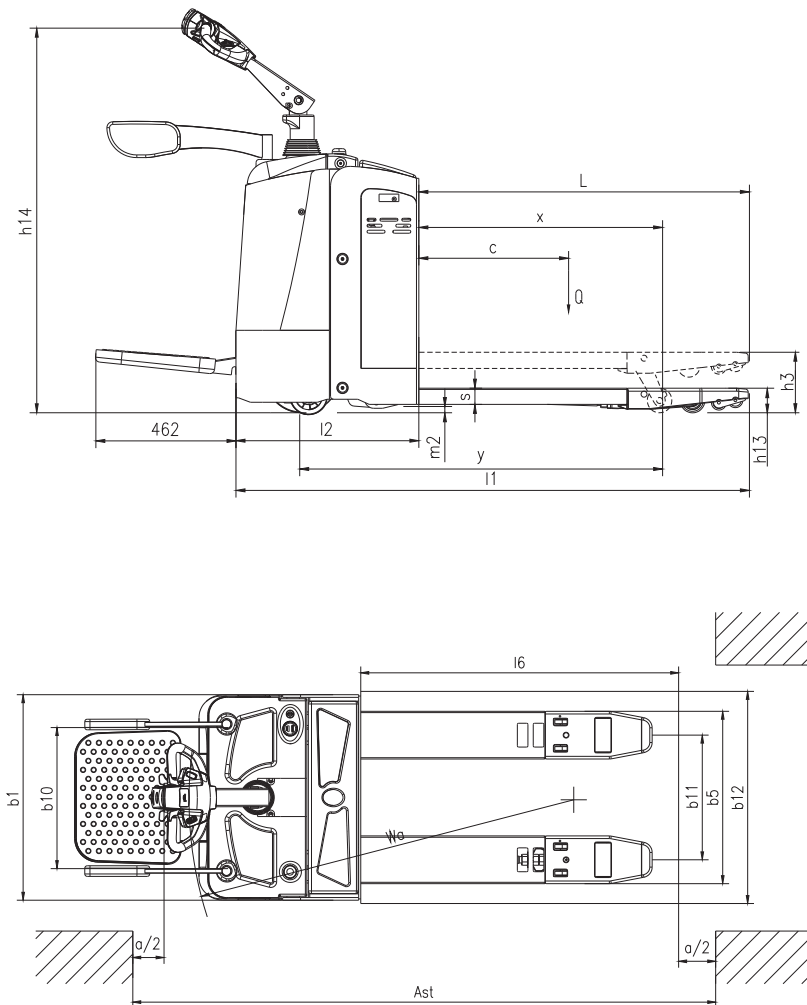
- The closed motor structure is water- and dust resistant (IP 44)
- Spring-loaded castors improve lateral stability on uneven floors and enhance truck performance and service life.
- Welded type fork.

### SERVICEABILITY

- CANbus technology reduces wiring complexity.
- All pivot points have grease fittings and serviceable bushings, to reduce component-wearing.
- Easy access to all components thanks to removal of 1-piece front cover.

# Electric Pallet truck

## Dimensions



## Option

- Traveling speed 6 km/h
- (1.6 kw Drive motor, Curtis controller 1232)
- Curtis steering controller
- Integrated charger (24V / 20A)
- Coldstore specification -18°C
- Closed operator protection
- Keyless ignition (keypad) (start)
- Loadguard 1220 mm
- Battery trolley
- Fork length (mm)
  - 20EPR : 800; 900; 1000; 1200; 1600; 1800; 2400
  - 25EPR : 800; 900; 1000; 1200; 1600; 1800; 2400
  - (1800; 2400 : rated load capacity 1.5t)



## Specification (according to VDI 2198)

| Characteristics  |  |       |      |                               |                               |
|------------------|--|-------|------|-------------------------------|-------------------------------|
| 1.1              | manufacturer (abbreviation)                                |       |      | Hyundai                       | Hyundai                       |
| 1.2              | Model  |       |      | 20EPR                         | 25EPR                         |
| 1.3              | Drive type   |       |      | Electric                      | Electric                      |
| 1.4              | Operator type  |       |      | pedestrian / standing         | pedestrian / standing         |
| 1.5              | Load capacity/rated load                                   | Q     | kg   | 2000                          | 2500                          |
| 1.6              | Load center distance                                       | c     | mm   | 600                           | 600                           |
| 1.8              | Load distance  | x     | mm   | 818 / 868 / 938               | 818 / 868 / 938               |
| 1.9              | Wheelbase  | y     | mm   | 1302 / 1352 / 1422            | 1302 / 1352 / 1422            |
| Weight           |  |       |      |                               |                               |
| 2.1              | Service weight(with battery)                               |       | kg   | 720                           | 720                           |
| 2.2              | Axle load, front/rear, loaded                              |       | kg   | 1640 / 1030                   | 2040 / 1180                   |
| 2.3              | Axle load, front/rear, unloaded                            |       | kg   | 160 / 560                     | 160 / 560                     |
| Wheels/Chassis   |  |       |      |                               |                               |
| 3.1              | Tyres: solid rubber, superelastic, pneumatic, polyurethane |       |      | polyurethane                  | polyurethane                  |
| 3.2              | Tyre size, front   |       |      | Φ 250 × 70                    | Φ 250 × 70                    |
| 3.3              | Tyre size, rear  |       |      | Φ 80 × 70                     | Φ 74 × 70                     |
| 3.4              | Additional wheels(dimensions)                              |       |      | Φ 127 × 57                    | Φ 127 × 57                    |
| 3.5              | Wheels number, front/rear (x = driven wheels)              |       |      | 1x +2/4                       | 1x +2/4                       |
| 3.6              | Tread, front   | b10   | mm   | 491                           | 491                           |
| 3.7              | Tread, rear  | b11   | mm   | 340 / 370 / 470 / 505         | 340 / 370 / 470 / 505         |
| Dimension        |  |       |      |                               |                               |
| 4.4              | Lift height  | h5    | mm   | 120                           | 120                           |
| 4.9              | Min. /Max. height of operation handle, in driving position | h14   | mm   | 1150 / 1450                   | 1150 / 1450                   |
| 4.15             | Height, lowered  | h13   | mm   | 75 / 85                       | 75 / 85                       |
| 4.19             | Overall length   | l1    | mm   | 1823 / 1873 / 1943            | 1823 / 1873 / 1943            |
| 4.20             | Length to fork face  | l2    | mm   | 723                           | 723                           |
| 4.21             | Overall width of truck body                                | b1    | mm   | 733                           | 733                           |
| 4.22             | Fork dimension   | s/e/l | mm   | 53 × 180 × 1100 (1150 / 1220) | 53 × 180 × 1100 (1150 / 1220) |
| 4.25             | Overall width of fork                                      | b5    | mm   | 520 / 550 / 650 / 685         | 520 / 550 / 650 / 685         |
| 4.32             | Wheelbase ground distance                                  | m2    | mm   | 30                            | 30                            |
| 4.33             | Aisle width, with pallet 1000 x 1200 crosswise             | Ast   | mm   | 2135 / 2185 / 2255            | 2135 / 2185 / 2255            |
| 4.34             | Aisle width, with pallet 800 x 1200 lengthwise             | Ast   | mm   | 2235 / 2235 / 2255            | 2235 / 2235 / 2255            |
| 4.35             | Turning radius   | Wa    | mm   | 1700 / 1750 / 1820            | 1700 / 1750 / 1820            |
| Performance Data |  |       |      |                               |                               |
| 5.1              | traveling speed, loaded/unloaded                           |       | km/h | 7.9 / 8                       | 6.7 / 6.8                     |
| 5.2              | Lifting speed, loaded/unloaded                             |       | m/s  | 0.03 / 0.032                  | 0.03 / 0.032                  |
| 5.3              | Lowering speed, loaded/unloaded                            |       | m/s  | 0.032 / 0.03                  | 0.032 / 0.03                  |
| 5.7              | Gradeability, loaded/unloaded                              |       | %    | 4 / 8                         | 3 / 8                         |
| 5.8              | Max. gradeability, loaded/unloaded                         |       |      | 8 / 20                        | 6 / 20                        |
| 5.10             | traveling brake  |       |      | electromagnetic brake         | electromagnetic brake         |
| Motor            |  |       |      |                               |                               |
| 6.1              | Driving motor power  |       | kW   | 1.5                           | 1.5                           |
| 6.2              | Lifting motor power  |       | kW   | 1.5                           | 1.5                           |
| 6.4              | Battery voltage/rated capacity                             |       | V/Ah | 24 / 240                      | 24 / 240                      |
| 6.5              | Battery weight   |       | kg   | 240                           | 240                           |

---

Electric pallet truck (Double deck)

# 20EDPR



■ Photo may include optional equipment.

---

## Standard Configurations

---

### 20EDPR

- Lifting Capacity: 1x 2000 kg (2x 1000 kg)
- AC Drive Motor 1.5 kW
- Lift motor 2.2 kW
- Curtis controller
- Drive wheel: 250 x 70mm
- Double Polyurethane Load wheel size 80 x 70 mm
- Lift height 2500 mm (Triple mast free lift)
- Hourmeter, battery discharge indicator (BDI) with lift cut off
- Overall Fork Width x Length: 570 x 1150 mm
- Tiller head with big proportional controls
- Side Battery Removal
- EPS (Electric Power Steering)
- Maximum travelling speed: 9 Km/h
- Stand on platform
- Loadguard

## Advantages

---

### SAFETY AND PRODUCTIVITY

- AC technology gives high performance and low maintenance (no carbon brushes)
- Intelligent regenerative brake system: increase overall truck performance.
- Side battery removal, for multiple shift operation
- Turtle mode switch, for safe maneuverability with tiller in upright position
- Proportional travel speed control
- Anti roll-back on gradients
- Effortless steering (EPS), less fatigue
- Automatic speed reduction relative to steer angle
- Suspended platform for comfortable operation
- Precision in handling due to proportional hydraulics

### STRUCTURE DESIGN

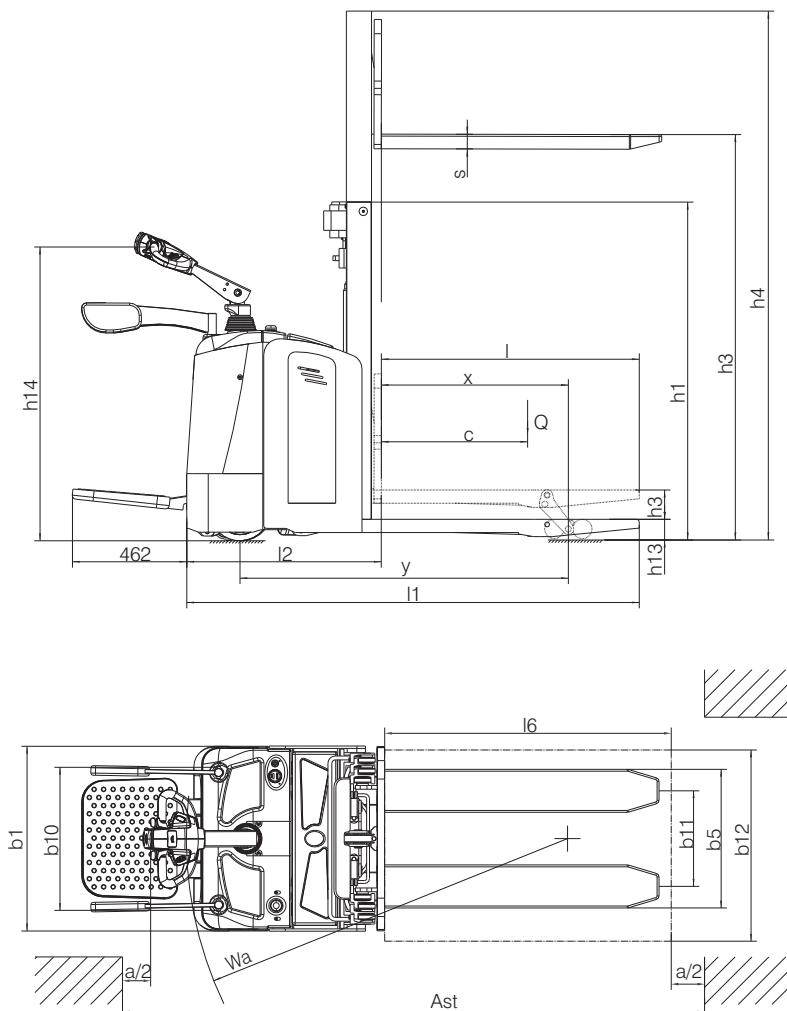
- The closed motor structure is water- and dust resistant (IP 44)
  - Spring-loaded castors improve lateral stability on uneven floors and enhance truck performance and service life.
- Welded type fork.

### SERVICEABILITY

- CANbus technology reduces wiring complexity.
- All pivot points have grease fittings and serviceable bushings, to reduce component-wearing.
- Easy access to all components thanks to removal of 1-piece front cover.

# Electric Pallet Truck Double Deck

## Dimensions



## Option

- Coldstore specification -18°C
- Keyless ignition (keypad)
- Battery trolley
- Fork length (mm): 800; 900; 1000; 1220
- Lifting height 1600 mm (Triple mast free lift)
- Lifting height 2000 mm (Triple mast free lift)
- Single PU load wheel

## Specification (according to VDI 2198)

| Characteristics  |  |       |      |                         |
|------------------|--|-------|------|-------------------------|
| 1.1              | manufacturer (abbreviation)                                |       |      | Hyundai                 |
| 1.2              | Model  |       |      | 20EDPR                  |
| 1.3              | Drive type   |       |      | electric                |
| 1.4              | Operator type  |       |      | pedestrian / standing   |
| 1.5              | Load capacity/rated load                                   | Q     | kg   | 2000                    |
| 1.6              | Load center distance                                       | c     | mm   | 600                     |
| 1.8              | Load distance  | x     | mm   | 767                     |
| 1.9              | Wheelbase  | y     | mm   | 1348                    |
| Weight           |  |       |      |                         |
| 2.1              | Service weight(with battery)                               |       | kg   | 1130                    |
| 2.2              | Axle load, front/rear, loaded                              |       | kg   | 1090 / 2040             |
| 2.3              | Axle load, front/rear, unloaded                            |       | kg   | 840 / 290               |
| Wheels/Chassis   |  |       |      |                         |
| 3.1              | Tyres: solid rubber, superelastic, pneumatic, polyurethane |       |      | polyurethane            |
| 3.2              | Tyre size, front   |       |      | Φ 250 × 70              |
| 3.3              | Tyre size, rear  |       |      | Φ 80 × 70               |
| 3.4              | Additional wheels(dimensions)                              |       |      | Φ 127 × 57              |
| 3.5              | Wheels number, front/rear (x = driven wheels)              |       |      | 1x +2/4                 |
| 3.6              | Tread, front   | b10   | mm   | 490                     |
| 3.7              | Tread, rear  | b11   | mm   | 400 / 470               |
| Dimension        |  |       |      |                         |
| 4.2              | Height of mast, lowered                                    | h1    | mm   | 1082 / 1212 / 1382      |
| 4.4              | Lift height  | h5    | mm   | 1600 / 2000 / 2500      |
| 4.5              | Max. height of mast, extended                              | h3    | mm   | 2118 / 2508 / 3018      |
| 4.7              | Lifting height for leg                                     | h4    | mm   | 120                     |
| 4.9              | Min. /Max. height of operation handle, in driving position | h14   | mm   | 1150 / 1430             |
| 4.15             | Height, lowered  | h13   | mm   | 90                      |
| 4.19             | Overall length   | l1    | mm   | 1898 / 1948             |
| 4.20             | Length to fork face  | l2    | mm   | 798                     |
| 4.21             | Overall width of truck body                                | b1    | mm   | 775                     |
| 4.22             | Fork dimension   | s/e/l | mm   | 54 × 180 × 1150         |
| 4.25             | Overall width of fork                                      | b5    | mm   | 580 / 650               |
| 4.32             | Wheelbase ground distance                                  | m2    | mm   | 28                      |
| 4.33             | Aisle width, with pallet 1000 x 1200 crosswise             | Ast   | mm   | 2098 / 2148             |
| 4.34             | Aisle width, with pallet 800 x 1200 lengthwise             | Ast   | mm   | 2198                    |
| 4.35             | Turning radius   | Wa    | mm   | 1600                    |
| Performance Data |  |       |      |                         |
| 5.1              | traveling speed, loaded/unloaded                           |       | km/h | 9 / 9.1                 |
| 5.2              | Lifting speed, loaded/unloaded                             |       | m/s  | 0.03 / 0.04             |
| 5.3              | Lowering speed, loaded/unloaded                            |       | m/s  | 0.05 / 0.045            |
| 5.7              | Gradeability, loaded/unloaded                              |       | %    | 6 / 12                  |
| 5.8              | Max. gradeability, loaded/unloaded                         |       |      | 8 / 20                  |
| 5.10             | traveling brake  |       |      | electromagnetic braking |
| Motor            |  |       |      |                         |
| 6.1              | Driving motor power  |       | kW   | 1.5                     |
| 6.2              | Lifting motor power  |       | kW   | 2.2                     |
| 6.4              | Battery voltage/rated capacity                             |       | V/Ah | 24 / 240                |
| 6.5              | Battery weight   |       | kg   | 235                     |

---

Electric Pallet truck

# 10/12/15ES



■ Photo may include optional equipment.

---

## Standard Configurations

---

### 10ES

- Lifting Capacity : 1000 kg
- AC Drive Motor 1.2 kW / Lift motor 2.2 kW
- Curtis controller
- Drive wheel : 250 x 70 mm
- Double Polyurethane Load wheels wheel (size: 80 x 70 mm)
- Hourmeter, battery discharge indicator (BDI) & lift cut off
- Duplex 3.0 m Mast without free lift
- Overall Fork Width x Length : 580 mm x 1150 mm
- Turtle switch / crawl speed button
- Tiller head with big control buttons
- Automatic Drive speed reduction (lifting over 1.8 m)
- Ergonomic low-mounted tiller
- Loadguard

### 12ES

- Lifting Capacity : 1200 kg
- AC Drive Motor 1.2 kW / Lift motor 2.2 kW
- Curtis controller
- Drive wheel : 250 x 70 mm
- Double Polyurethane Load wheel wheel (size: 80 x 70 mm)
- Hourmeter, battery discharge indicator (BDI) & lift cut off
- Duplex 3.0 m Mast without free lift
- Overall Fork Width x Length : 580 mm x 1150 mm
- Turtle switch / crawl speed button
- Tiller head with big control buttons
- Automatic Drive speed reduction (lifting over 1.8 m)
- Ergonomic low-mounted tiller
- Loadguard

### 15ES

- Lifting Capacity : 1500 kg
- AC Drive Motor 1.5 kW / Lift motor 3.2 kW
- Curtis controller
- Drive wheel : 250 x 70 mm
- Double Polyurethane Load wheels wheel (size: 84 x 80 mm)
- Hourmeter, battery discharge indicator (BDI) & lift cut off
- Duplex 3.0 m Mast with free lift
- Overall Fork Width x Length : 570 mm x 1150 mm
- Turtle switch / crawl speed button
- Tiller head with big control buttons
- Proportional Lifting
- Automatic Drive speed reduction (lifting over 1.8m)
- Ergonomic low-mounted tiller
- Loadguard

## Advantages

---

### SAFETY AND PRODUCTIVITY

- AC technology gives high performance and low maintenance (no carbon brushes)
- Multi-functional display with BDI and hour meter.
- Proportional travel speed control.
- Switch shuts off liftmotor.
- Intelligent regenerative brake system for fast and efficient handling
- Proportional speed control ensures precise operation
- Anti roll-back on gradients (parking brake)
- Precision in storage and retrieval operations due to proportional hydraulics (15ES)
- Side battery removal for multiple shift operations
- Turtle mode switch, for safe maneuverability with tiller in upright position
- Long tiller ensures large safety distance between operator and truck

### STRUCTURE DESIGN

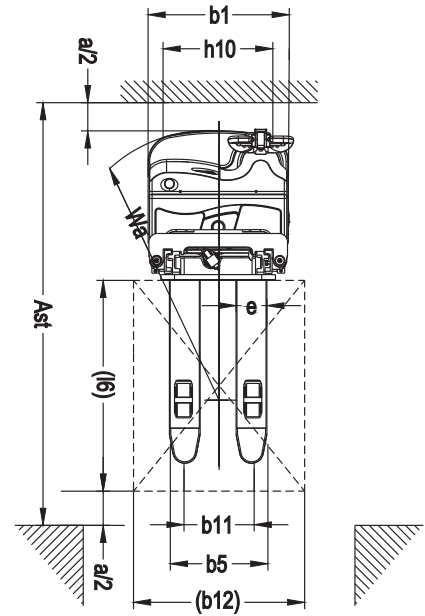
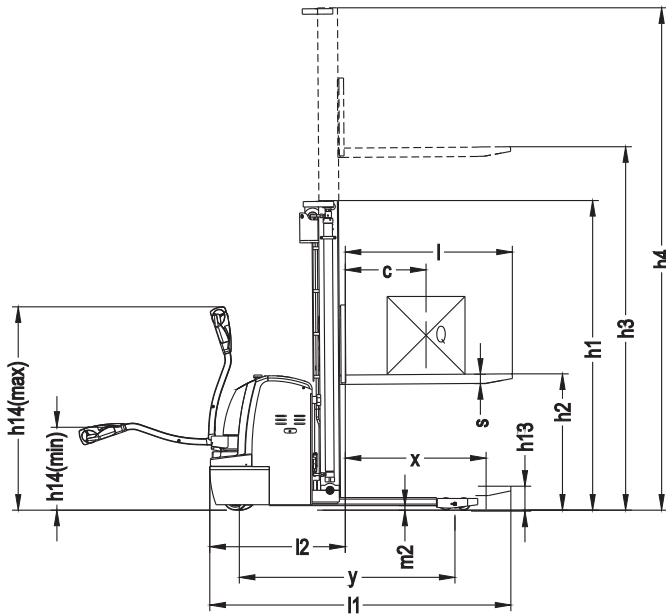
- The closed motor structure is water- and dust resistant
- Improved lateral stability thanks to spring applied castor wheels
- Torsion resistant forks, welded type
- Offset low mounted tiller for improved visibility
- Lifting heights up to 5000 mm

### SERVICEABILITY

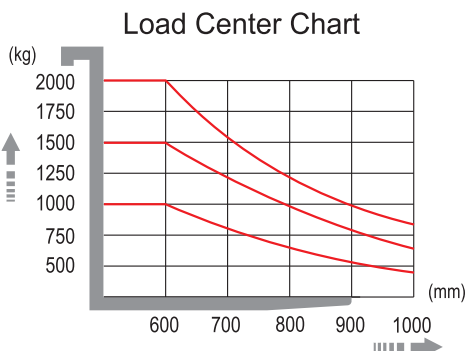
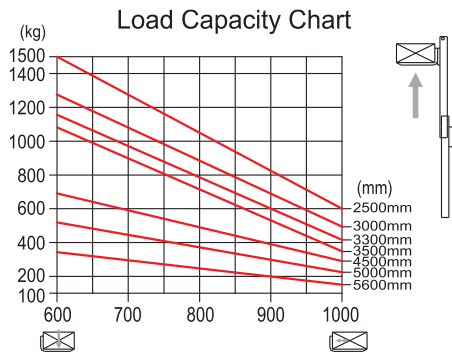
- CANbus technology reduces wiring complexity.
- All pivot points have grease fittings and serviceable bushings, to reduce component-wearing.
- Easy access to all components thanks to removal of 1-piece front cover.

# Electric Pallet truck

## Dimensions



## Lifting capacity



## Option

- Integrated Charger
  - 10/12 ES : (24V/15A)
  - 15 ES : (24V/30A)
- Keyless ignition (keypad)
- Battery trolley
- Fork length (mm)
  - 10/12/15 ES : 800; 900; 1000; 1200

### 10/12ES

- Lifting height 2500 mm, Duplex mast without free lift
- Lifting height 3300 mm, Duplex mast without free lift

### 15ES

- Tiller head with big control buttons
- Coldstore specification -18°C
- Initial lift
- Lifting height 3000 mm, Duplex mast without free lift
- Lifting height 3500 mm, Duplex mast without free lift
- Lifting height 2500 mm, Duplex mast with free lift
- Lifting height 3500 mm, Duplex mast with free lift
- Lifting height 4500 mm, Triplex mast with free lift
- Lifting height 5000 mm, Triplex mast with free lift
- Lifting height 5600 mm, Triplex mast with free lift



## Specification (according to VDI 2198)

| Characteristics  |  |       |      |                           |                           |                           |
|------------------|--|-------|------|---------------------------|---------------------------|---------------------------|
| 1.1              | manufacturer (abbreviation)                                |       |      | Hyundai                   | Hyundai                   | Hyundai                   |
| 1.2              | Model  |       |      | 10ES                      | 12ES                      | 15ES                      |
| 1.3              | Drive type   |       |      | electric                  | electric                  | electric                  |
| 1.4              | Operator type  |       |      | pedestrian                | pedestrian                | pedestrian                |
| 1.5              | Load capacity/rated load                                   | Q     | kg   | 1000                      | 1200                      | 1500                      |
| 1.6              | Load center distance                                       | c     | mm   | 500                       | 500                       | 600                       |
| 1.8              | Load distance  | x     | mm   | 697                       | 697                       | 697                       |
| 1.9              | Wheelbase  | y     | mm   | 1335                      | 1335                      | 1383                      |
| Weight           |  |       |      |                           |                           |                           |
| 2.1              | Service weight(with battery)                               |       | kg   | 700 / 730 / 750           | 710 / 740 / 760           | 1230 / 1245 / 1260 / 1270 |
| 2.2              | Axle load, front/rear, loaded                              |       | kg   | 950 / 770                 | 1060 / 870                | 1470 / 1310               |
| 2.3              | Axle load, front/rear, unloaded                            |       | kg   | 555 / 165                 | 560 / 170                 | 900 / 380                 |
| Wheels/Chassis   |  |       |      |                           |                           |                           |
| 3.1              | Tyres: solid rubber, superelastic, pneumatic, polyurethane |       |      | polyurethane              | polyurethane              | polyurethane              |
| 3.2              | Tyre size, front   |       |      | φ 250 × 70                | φ 250 × 70                | φ 250 × 70                |
| 3.3              | Tyre size, rear  |       |      | φ 80 × 70                 | φ 80 × 70                 | φ 80 × 84                 |
| 3.4              | Additional wheels(dimensions)                              |       |      | φ 150 × 60                | φ 150 × 60                | φ 150 × 60                |
| 3.5              | Wheels number, front/rear (x = driven wheels)              |       |      | 1x+1/4                    | 1x+1/4                    | 1x+1/4                    |
| 3.6              | Tread, front   | b10   | mm   | 520                       | 520                       | 520                       |
| 3.7              | Tread, rear  | b11   | mm   | 410 / 525                 | 410 / 525                 | 404 / 525                 |
| Dimension        |  |       |      |                           |                           |                           |
| 4.2              | Height of mast, lowered                                    | h1    | mm   | 2087 / 1837 / 2087 / 2237 | 2087 / 1837 / 2087 / 2237 | 1735 / 1985 / 2135 / 2235 |
| 4.3              | Free lift height ( optional)                               |       |      | N/A                       | N/A                       | 1300 / 1550 / 1700 / 1800 |
| 4.4              | Lift height  | h3    | mm   | 1600 / 2500 / 3000 / 3300 | 1600 / 2500 / 3000 / 3300 | 2500 / 3000 / 3300 / 3500 |
| 4.5              | Max. height of mast, extended                              | h4    | mm   | 2087 / 3087 / 3587 / 3887 | 2087 / 3087 / 3587 / 3887 | 2955 / 3455 / 3755 / 3955 |
| 4.9              | Min. /Max. height of operation handle, in driving position | h14   | mm   | 670 / 1300                | 670 / 1300                | 670 / 1300                |
| 4.15             | Height, lowered  | h13   | mm   | 90                        | 90                        | 90                        |
| 4.19             | Overall length   | l1    | mm   | 1965                      | 1965                      | 1950                      |
| 4.20             | Length to fork face  | l2    | mm   | 792                       | 792                       | 878                       |
| 4.21             | Overall width of truck body                                | b1    | mm   | 820                       | 820                       | 820                       |
| 4.22             | Fork dimension   | s/e/l | mm   | 60 / 170 / 1070 (1150)    | 60 / 170 / 1070 (1150)    | 60 / 180 / 1070 (1150)    |
| 4.25             | Overall width of fork                                      | b5    | mm   | 580 / 695                 | 580 / 695                 | 570 / 695                 |
| 4.32             | Wheelbase ground distance                                  | m2    | mm   | 28                        | 28                        | 31                        |
| 4.33             | Aisle width, with pallet 1000 x 1200 crosswise             | Ast   | mm   | 2400                      | 2400                      | 2450                      |
| 4.34             | Aisle width, with pallet 800 x 1200 lengthwise             | Ast   | mm   | 2370                      | 2370                      | 2420                      |
| 4.35             | Turning radius   | Wa    | mm   | 1525                      | 1525                      | 1575                      |
| Performance Data |  |       |      |                           |                           |                           |
| 5.1              | traveling speed, loaded/unloaded                           |       | km/h | 5.3 / 5.6                 | 5.3 / 5.6                 | 5.8 / 6                   |
| 5.2              | Lifting speed, loaded/unloaded                             |       | m/s  | 0.06 / 0.13               | 0.06 / 0.13               | 0-0.12 / 0-0.19           |
| 5.3              | Lowering speed, loaded/unloaded                            |       | m/s  | 0.13 / 0.10               | 0.13 / 0.10               | 0-0.35 / 0-0.12           |
| 5.7              | Gradeability, loaded/unloaded                              |       | %    | 6 / 15                    | 6 / 15                    | 8 / 15                    |
| 5.10             | traveling brake  |       |      | electromagnetic brake     | electromagnetic brake     | electromagnetic brake     |
| Motor            |  |       |      |                           |                           |                           |
| 6.1              | Driving motor power  |       | kW   | 1.2 (AC)                  | 1.2 (AC)                  | 1.5 (AC)                  |
| 6.2              | Lifting motor power  |       | kW   | 2.2                       | 2.2                       | 3.2                       |
| 6.4              | Battery voltage/rated capacity                             |       | V/Ah | 24 / 120                  | 24 / 120                  | 24 / 300                  |
| 6.5              | Battery weight   |       | kg   | 90                        | 90                        | 300                       |

---

Electric Stacker

# 12ESN



■ Photo may include optional equipment.

---

## Standard Configurations

---

### 12ESN

- Lifting Capacity : 1200 kg
- AC Drive Motor 1.2 kW
- Lift motor : 2.2 kW
- Curtis controller
- Drive wheel : 250 x 70 mm
- Double Polyurethane Load wheel wheel size 80 x 70 mm
- Hourmeter, battery discharge indicator (BDI) & lift cut off
- Simplex mast, Lifting height 1950 mm
- Lowered Height : 2.33 m
- Ergonomic low-mounted tiller
- Overall Fork Width x Length : 570 mm x 1150 mm
- Turtle switch / crawl speed button
- Automatic drive speed reduction (lifting over 1.8 m)
- Integrated charger
- Belly Switch
- Gel battery

## Advantages

---

### SAFETY AND PRODUCTIVITY

- AC technology gives high performance and low maintenance (no carbon brushes)
- Intelligent regenerative brake system.
- Multi-function display with BDI and hour meter etc.
- Proportional travel speed control.
- Switch shuts off liftmotor
- Turtle mode switch, for safe maneuverability with tiller in upright position
- Long tiller ensures large safety distance between operator and truck

### STRUCTURE DESIGN

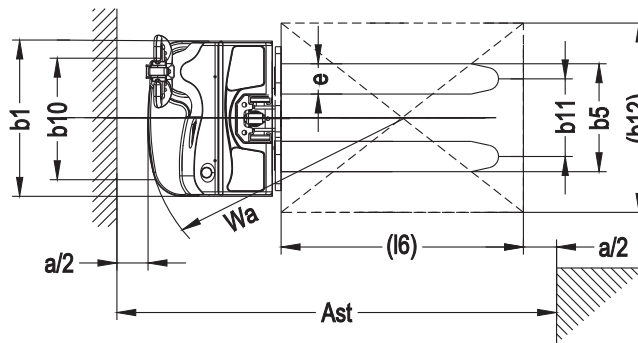
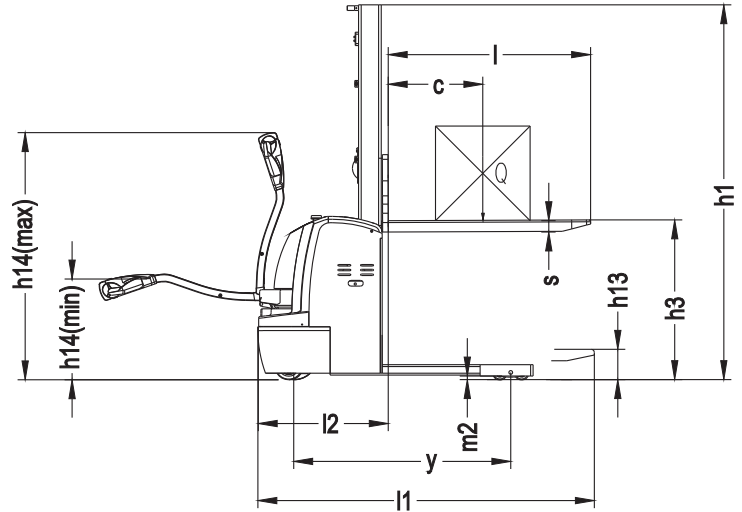
- The closed motor structure is water- and dust resistant
- Offset low mounted tiller for improved visibility

### SERVICEABILITY

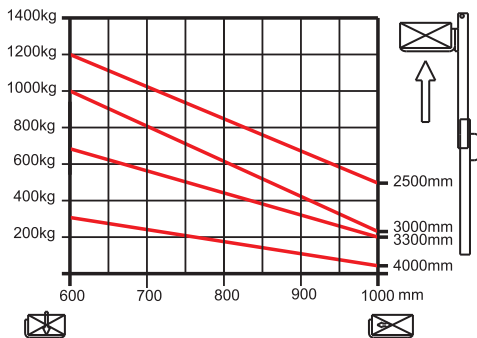
- Easy access to all components thanks to removal of 1-piece front cover
- Maintenance free gel battery

# Electric Stacker

## Dimensions



## Lifting capacity



## Option

- Lifting height 1600 mm
- Lifting height 2800 mm
- Fork length (mm): 800; 900; 1000; 1200

## Specification (according to VDI 2198)

| Characteristics  |  |       |      |                       |
|------------------|--|-------|------|-----------------------|
| 1.1              | manufacturer (abbreviation)                                |       |      | Hyundai               |
| 1.2              | Model  |       |      | 12ESN                 |
| 1.3              | Drive type   |       |      | electric              |
| 1.4              | Operator type  |       |      | walking               |
| 1.5              | Load capacity/rated load                                   | Q     | kg   | 1200                  |
| 1.6              | Load center distance                                       | c     | mm   | 500                   |
| 1.8              | Load distance  | x     | mm   | 630                   |
| 1.9              | Wheelbase  | y     | mm   | 1146                  |
| Weight           |  |       |      |                       |
| 2.1              | Service weight(with battery)                               |       | kg   | 590                   |
| 2.2              | Axle load, front/rear, loaded                              |       | kg   | 790 / 1000            |
| 2.3              | Axle load, front/rear, unloaded                            |       | kg   | 195 / 395             |
| Wheels/Chassis   |  |       |      |                       |
| 3.1              | Tyres: solid rubber, superelastic, pneumatic, polyurethane |       |      | polyurethane          |
| 3.2              | Tyre size, front   |       |      | φ 250 × 70            |
| 3.3              | Tyre size, rear  |       |      | φ 80 × 70             |
| 3.4              | Additional wheels(dimensions)                              |       |      | φ 150 × 60            |
| 3.5              | Wheels number, front/rear (x = driven wheels)              |       |      | 1x +1/4               |
| 3.6              | Tread, front   | b10   | mm   | 520                   |
| 3.7              | Tread, rear  | b11   | mm   | 400                   |
| Dimension        |  |       |      |                       |
| 4.2              | Height of mast, lowered                                    | h1    | mm   | 1980 / 2330           |
| 4.4              | Lift height  | h5    | mm   | 1600 / 1950           |
| 4.5              | Max. height of mast, extended                              | h4    | mm   | 1980 / 2330           |
| 4.9              | Min. /Max. height of operation handle, in driving position | h14   | mm   | 670 / 1300            |
| 4.15             | Height, lowered  | h13   | mm   | 90                    |
| 4.19             | Overall length   | l1    | mm   | 1780 / 1860           |
| 4.20             | Length to fork face  | l2    | mm   | 708                   |
| 4.21             | Overall width of truck body                                | b1    | mm   | 820                   |
| 4.22             | Fork dimension   | s/e/l | mm   | 1070 / 1150           |
| 4.25             | Overall width of fork                                      | b5    | mm   | 570                   |
| 4.32             | Wheelbase ground distance                                  | m2    | mm   | 30                    |
| 4.33             | Aisle width, with pallet 1000 x 1200 crosswise             | Ast   | mm   | 2180                  |
| 4.34             | Aisle width, with pallet 800 x 1200 lengthwise             | Ast   | mm   | 2220                  |
| 4.35             | Turning radius   | Wa    | mm   | 1338                  |
| Performance Data |  |       |      |                       |
| 5.1              | traveling speed, loaded/unloaded                           |       | km/h | 5.3 / 5.6             |
| 5.2              | Lifting speed, loaded/unloaded                             |       | m/s  | 0.11 / 0.19           |
| 5.3              | Lowering speed, loaded/unloaded                            |       | m/s  | 0.16 / 0.11           |
| 5.8              | Max. gradeability, loaded/unloaded                         |       |      | 6 / 15                |
| 5.10             | traveling brake  |       |      | electromagnetic brake |
| Motor            |  |       |      |                       |
| 6.1              | Driving motor power  |       | kW   | 1.2 (AC)              |
| 6.2              | Lifting motor power  |       | kW   | 2.2                   |
| 6.4              | Battery voltage/rated capacity                             |       | V/Ah | 24/80                 |
| 6.5              | Battery weight   |       | kg   | 50                    |

---

Electric Stacker

# 15ESR



■ Photo may include optional equipment.

---

## Standard Configurations

---

### 15ESR

- Lifting Capacity : 1500 kg
- AC Drive Motor 1.5 kW
- 8.5 km/h
- Lift motor 3.2 kW
- Curtis controller
- Drive wheel : 250 x 70 mm
- Double Polyurethane Load wheels wheel size 84 x 80mm
- Hourmeter, battery discharge indicator (BDI) & Limiter with lift cut off
- Duplex 3.0m Mast with free lift
- Fork Width x Length : 570 mm x 1150 mm
- Turtle switch / crawl speed button
- German Frei tiller with convenient control buttons
- Proportional Lifting
- Automatic speed reduction (lifting over 1.8 m)
- Belly switch
- Side battery removal
- Stand on platform
- EPS
- travel speed reduction

## Advantages

---

### SAFETY AND PRODUCTIVITY

- AC technology gives high performance and low maintenance (no carbon brushes)
- Mast lowering damping cushion
- Multi-functional display with BDI and hour meter etc.
- Side battery removal for multiple shift operation
- Auto deceleration function.
- Turtle mode switch, for safe maneuverability with tiller in upright position .
- Proportional travel speed control.
- Effortless steering (EPS), less fatigue
- Suspended platform for comfortable operation
- Intelligent regenerative brake system for fast and efficient handling
- Precision in handling due to proportional hydraulics
- Anti roll-back on gradients (parking brake)
- Lift limit switch shuts off liftmotor at max lifting height

### STRUCTURE DESIGN

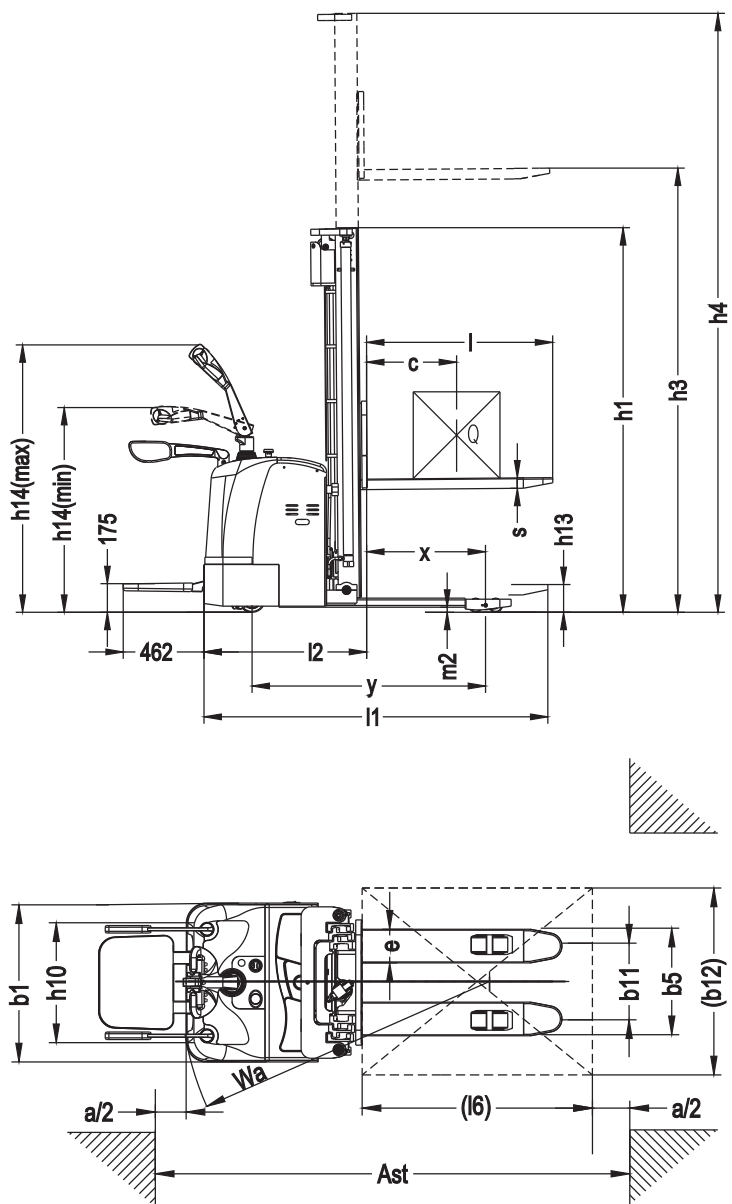
- The closed motor structure is water- and dust resistant (IP 44)
- Spring-loaded castors improve lateral stability on uneven floors and enhance truck performance and service life.
- Welded type fork.
- Lifting height up to 5600 mm

### SERVICEABILITY

- CANbus technology reduces wiring complexity.
- All pivot points have grease fittings and serviceable bushings, to reduce component-wearing.
- Easy access to all components thanks to removal of 1-piece front cover.

# Electric Stacker

## Dimensions



## Option

- Traveling speed 6 km/h
- Integrated Charger (24V / 40A)
- Coldstore specification -18°C
- Keyless ignition (keypad)
- Battery trolley
- Initial lift
- Fork length (mm) 800; 900; 1000; 1200
- Lifting height 2500 mm, Duplex mast without free lift
- Lifting height 3000 mm, Duplex mast without free lift
- Lifting height 3300 mm, Duplex mast without free lift
- Lifting height 3500 mm, Duplex mast without free lift
- Lifting height 2500 mm, Duplex mast with free lift
- Lifting height 3500 mm, Duplex mast with free lift
- Lifting height 4500mm, Triplex mast with free lift
- Lifting height 5000mm, Triplex mast with free lift
- Lifting height 5600mm, Triplex mast with free lift



## Specification (according to VDI 2198)

| Characteristics  |  |       |      |  |
|------------------|--|-------|------|--|
| 1.1              | manufacturer (abbreviation)                                |       |      | Hyundai  |
| 1.2              | Model  |       |      | 15ESR  |
| 1.3              | Drive type   |       |      | electric                                       |
| 1.4              | Operator type  |       |      | pedestrian / standing                          |
| 1.5              | Load capacity/rated load                                   | Q     | kg   | 1500   |
| 1.6              | Load center distance                                       | c     | mm   | 600  |
| 1.8              | Load distance  | x     | mm   | 672  |
| 1.9              | Wheelbase  | y     | mm   | 1378   |
| Weight           |  |       |      |  |
| 2.1              | Service weight(with battery)                               |       | kg   | 1280   |
| 2.2              | Axle load, front/rear, loaded                              |       | kg   | 1470/1310                                      |
| 2.3              | Axle load, front/rear, unloaded                            |       | kg   | 900/380  |
| Wheels/Chassis   |  |       |      |  |
| 3.1              | Tyres: solid rubber, superelastic, pneumatic, polyurethane |       |      | polyurethane                                   |
| 3.2              | Tyre size, front   |       |      | φ 250 × 70                                     |
| 3.3              | Tyre size, rear  |       |      | φ 80 × 84                                      |
| 3.4              | Additional wheels(dimensions)                              |       |      | φ 150 × 60                                     |
| 3.5              | Wheels number, front/rear (x = driven wheels)              |       |      | 1x +2/4  |
| 3.6              | Tread, front   | b10   | mm   | 580  |
| 3.7              | Tread, rear  | b11   | mm   | 404 / 530                                      |
| Dimension        |  |       |      |  |
| 4.2              | Height of mast, lowered                                    | h1    | mm   | 1735 / 1985 / 2135 / 2235 / 2050 / 2210 / 2410 |
| 4.4              | Lift height  | h5    | mm   | 1300 / 1550 / 1700 / 1800 / 1570 / 1740 / 1940 |
| 4.5              | Max. height of mast, extended                              | h3    | mm   | 2500 / 3000 / 3300 / 3500 / 4500 / 5000 / 5600 |
| 4.7              | Lifting height for leg                                     | h4    | mm   | 2955 / 3455 / 3755 / 3955 / 5070 / 5550 / 6150 |
| 4.9              | Min. /Max. height of operation handle, in driving position | h14   | mm   | 1150 / 1450                                    |
| 4.15             | Height, lowered  | h13   | mm   | 90   |
| 4.19             | Overall length   | l1    | mm   | 2020 / 2100                                    |
| 4.20             | Length to fork face  | l2    | mm   | 950  |
| 4.21             | Overall width of truck body                                | b1    | mm   | 850  |
| 4.22             | Fork dimension   | s/e/l | mm   | 60 / 180 / 1070 (1150)                         |
| 4.25             | Overall width of fork                                      | b5    | mm   | 570 / 695                                      |
| 4.32             | Wheelbase ground distance                                  | m2    | mm   | 31   |
| 4.33             | Aisle width, with pallet 1000 x 1200 crosswise             | Ast   | mm   | 2535   |
| 4.34             | Aisle width, with pallet 800 x 1200 lengthwise             | Ast   | mm   | 2515   |
| 4.35             | Turning radius   | Wa    | mm   | 1655   |
| Performance Data |  |       |      |  |
| 5.1              | traveling speed, loaded/unloaded                           |       | km/h | 8.5 / 8.7                                      |
| 5.2              | Lifting speed, loaded/unloaded                             |       | m/s  | 0-0.12 / 0-0.19                                |
| 5.3              | Lowering speed, loaded/unloaded                            |       | m/s  | 0-0.35 / 0-0.12                                |
| 5.8              | Max. gradeability, loaded/unloaded                         |       |      | 8 / 15   |
| 5.10             | traveling brake  |       |      | electromagnetic brake                          |
| Motor            |  |       |      |  |
| 6.1              | Driving motor power  |       | kW   | 1.5 (AC)                                       |
| 6.2              | Lifting motor power  |       | kW   | 3.2  |
| 6.4              | Battery voltage/rated capacity                             |       | V/Ah | 24 / 300                                       |
| 6.5              | Battery weight   |       | kg   | 300  |

## Manual Hand Pallet Truck

# 25HP/25HPW

### Standard Configurations

---

#### 25HP

- Lifting Capacity : 2500 kg
- Polyurethane drive steering wheel
- Double Polyurethane load wheels
- Overall Fork Width x Length : 550 mm x 1150 mm
- 210° steering arc

#### 25HPW

- Lifting Capacity : 2500 kg
- Double Polyurethane load wheels
- Overall Fork Width x Length : 550 mm x 1150 mm
- 210° steering arc
- Weighing Scale

### Option

---

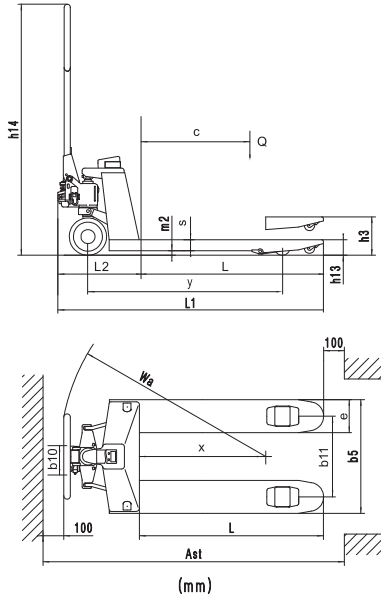
- Nylon drive wheel and double nylon load wheels
- Rubber drive wheel and double Polyurethane load wheels
- Polyurethane drive wheel and single Polyurethane load wheels
- Nylon drive wheel and single nylon load wheels
- Fully rubber wrapped handgrip
- Quick lift (5 strokes to reach max.height)
- Fork length (mm): 800; 900; 1000; 1100; 1220
- Overall fork Width x Length: 685 x 1150 mm
- Foot pedal release
- Foot pedal release extra long



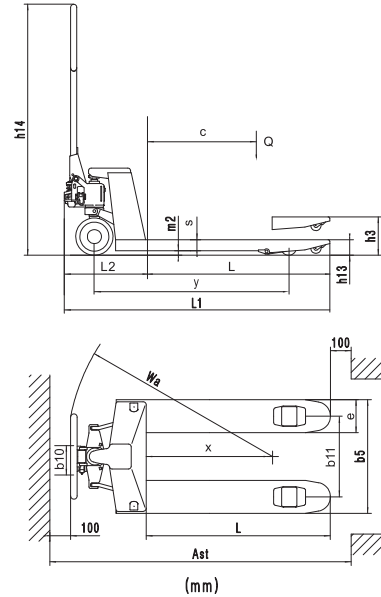
■ Photo may include optional equipment.

## Dimension & Specification (according to VDI 2198)

### 25HPW



### 25HP



| Characteristics |  |       |              |                           |                          |
|-----------------|--|-------|--------------|---------------------------|--------------------------|
| 1.1             | Manufacturer(abbreviation)                                 |       | Hyundai      | Hyundai                   |                          |
| 1.2             | Model  |       | 25HPW        | 25HP                      |                          |
| 1.3             | Drive type   |       | manual       | manual                    |                          |
| 1.4             | Operator type  |       | hand         | hand                      |                          |
| 1.5             | Load capacity/rated load                                   | kg    | 2500         | 2500                      |                          |
| 1.6             | Load center distance                                       | c     | mm           | 40                        | 32 / 22                  |
| 1.8             | Load distance  | x     | mm           | 600                       | 600                      |
| 1.9             | Wheelbase  | y     | mm           | 1124 / 1194               | 1153 / 1223              |
| Weight          |  |       |              |                           |                          |
| 2.1             | Service weight   | kg    | 60-80        | 58-70                     |                          |
| Wheels/Chassis  |  |       |              |                           |                          |
| 3.1             | Tyres: solid rubber, superelastic, pneumatic, polyurethane |       | polyurethane | polyurethane              |                          |
| 3.2             | Tyre size, front(Steering wheel)                           | mm    | Φ 200        | Φ 200                     |                          |
| 3.3             | Tyre size, rear(Fork wheel single)                         | mm    | Φ 80 x 93    | Φ 80 x 93                 |                          |
|                 | Tyre size, rear(Fork wheel tandem)                         | mm    | Φ 80 x 70    | Φ 80 x 70                 |                          |
| 3.5             | Wheels number, front/rear (x = driven wheels)              |       | 2x+2/4       | 2x+2/4                    |                          |
| 3.6             | Tread, front   | b10   | mm           | 120                       | 111                      |
| 3.7             | Tread, rear  | b11   | mm           | 360 / 390 / 525           | 360 / 390 / 525          |
| Dimension       |  |       |              |                           |                          |
| 4.4             | Max. Lift height   | h3    | mm           | 200                       | 195                      |
| 4.9             | Min. /Max. height of operation handle, in driving position | h14   | mm           | 1224                      | 1224                     |
| 4.15            | Height, lowered  | h13   | mm           | 85 / 75                   | 85 / 75                  |
| 4.19            | Overall length   | l1    | mm           | 1383 / 1483 / 1533 / 1603 | 1543 / 1613              |
| 4.20            | Length to fork face  | l2    | mm           | 384                       | 393.5                    |
| 4.22            | Fork dimension   | s/e/l | mm           | 45 / 160 / (1150 / 1220)  | 53 / 160 / (1150 / 1220) |
| 4.25            | Overall width of fork                                      | b5    | mm           | 520 / 550 / 685           | 520 / 550 / 685          |
| 4.32            | Wheelbase ground distance                                  | m2    | mm           | 32                        | 32                       |
| 4.33            | Aisle width, with pallet 1000x1200 crosswise               | Ast   | mm           | 1683 / 1733 / 1803        | 1743 / 1813              |
| 4.34            | Aisle width, with pallet 800x1200 lengthwise               | Ast   | mm           | 1783 / 1783 / 1803        | 1783 / 1813              |
| 4.35            | Turning radius   | Wa    | mm           | 1216 / 1266 / 1336        | 1276 / 1346              |



Conforms to EN ISO3691-1:2012  
EN1175-1:1998/A1:2010  
EN16307-1:2013

- \* Standard and optional equipment may vary per country. Contact your Hyundai dealer for more information.
- \* The photos may include attachments and optional equipment that are not available in your area.
- \* Materials and specifications are subject to change without advance notice.
- \* All imperial measurements rounded off to the nearest pound or inch.

PLEASE CONTACT

