

# COMBi-CBE

The innovative Combi-CBE is designed to increase productivity, improve safety and help increase your storage capacity both indoors & outdoors.

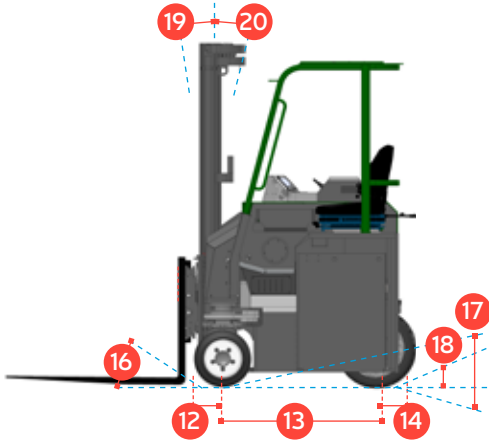
# COMBiLiFT

LIFTING INNOVATION

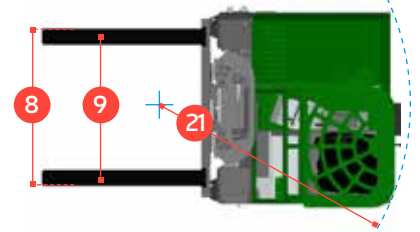
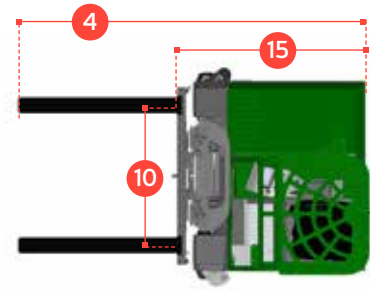
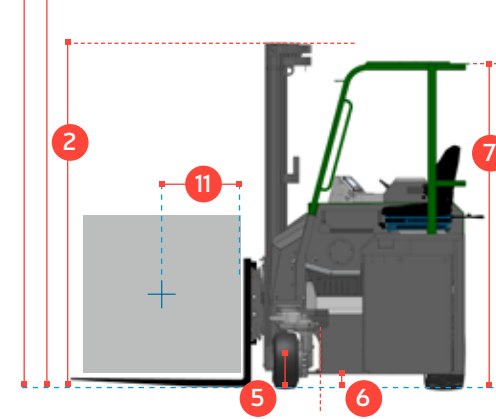


# COMBi-CBE

## FRONTAL MODE



## SIWARD MODE



REF.	DESCRIPTION	STD.	OPTION
1 a	Max. Lift Height	4000mm	4900mm 5500mm 6000mm
1 b	Free Lift Height	0mm	1318mm 1518mm 1683mm
2	Height Mast Closed	2670mm	2243mm 2443mm 2610mm
3	Max. (Mast raised)	4850mm	5778mm 6378mm 6878mm
4	Overall Length	2595mm / 2675mm	
5	Ground Clearance Under Mast	125mm	
6	Ground Clearance to Wheelbase Centre	100mm	
7	Height of Overhead Guard	2250mm	
8	Width	1500mm	
9	Outside Spread of Fork Arms	1325mm	
10	Track Front	1320mm	
11	Load Centre Distance	600mm	
12	Overhang Front	280mm	
13	Wheelbase	1070mm	
14	Overhang Back	150mm	
15	Length From Face of Fork	1500mm / 1580mm	
16	Approach Angle	30°	
17	Ramp Angle	15°	
18	Departure Angle	30°	
19	Forward Tilt	3°	
20	Backward Tilt	5°	
21	Minimum Outside Radius	1400mm	
A	Capacity	2500 kg / 3000 kg	
B	Unladen Weight	6500 kg / 6800 kg	
C	Maximum Ground Speed	11 km/h	
D	Gradeability	10%	
E	Battery Capacity	48 V / 930 Ah	
F	AC Electric Traction Motor x 2	48 V / 5 kW	
G	AC Electric Pump Motor	48 V / 14 kW	
H	Fork Section	125mm x 50mm x 1065mm	
I	16 x 7 – 10.5 Front Tyre x 2	OD 406mm / Width 178mm	
J	22 x 10 x 16 Rear Tyre x 1	OD 559mm / Width 254mm	
K	Standard Colour	Green and Grey	
L	Suspension Seat	Grammer MSG 65	

## Multi-Directional



### Features Include:

- +/- 100mm side shift
- Load sensing steering
- 4-Way lever positioning of wheels
- System Communication via CAN-BUS
- Multi-directional operation
- 2 Wheel Electric Drive
- Powered by AC Technology

### Distributed by:

Protected by Design Registration Copyright: European Community No.: 000725668-0001|US No.: D579, 624| Canadian No.: 123292|Australian No.: 318370| Russian Federation No.: 70814 |Korean No.: 30-0516087| Japanese No.: 1330896|Taiwan No.: D126056| Chinese No.: ZL200730329732.6

COMBILIFT HAS A POLICY OF CONTINUOUS PRODUCT DEVELOPMENT AND RESERVES THE RIGHT TO ALTER SPECIFICATIONS WITHOUT PRIOR NOTICE. SPECIFICATIONS AND/OR DIMENSIONS MAY VARY FROM THOSE ILLUSTRATED IN SOME COUNTRIES.