

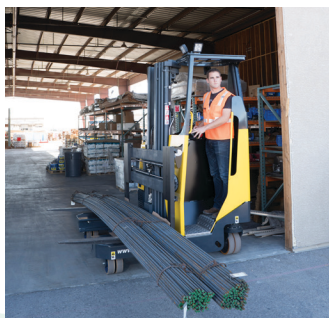
# COMBiLiFT

LIFTING INNOVATION

## COMBi-MR

### *Multi-directional Reach Truck*

The Combi-MR is Combilift's multi-directional stand-on reach truck which offers superb manoeuvrability and safety in the tightest working conditions.



COMBi-MR

[combilift.com](http://combilift.com)

REF.	DESCRIPTION	Standard	Optional
1a	Max. Lift Height	4040mm	5552mm
1b	Freelift Height	0mm	1480mm
2	Height Mast Closed	2670mm	2490mm
3	Max. (Mast raised)	4750mm	6520mm
4	Overall Length	1900mm	
5	Mast Travel	850mm	
6	Ground Clearance Under Mast	100mm	
7	Ground Clearance to Wheelbase	115mm	
8	Height Over Cab (without work lights)	2490mm	
9	Overall Width	1850mm	
10	Width over forks	2090mm	
11	Track Front	1442mm	
12	Frame Opening	950mm	
13	Load Centre Distance	600mm	
14	Overhang Front	205mm	
15	Wheelbase	1467mm	
16	Overhang Back	228mm	
17	Length From Face of Fork	1100mm	
18	Approach Angle	35°	
19	Ramp Angle	15°	
20	Departure Angle	35°	
21	Forward Tilt	2°	
22	Backward Tilt	4°	
23	Minimum Outside Radius	1950mm	
24	Platform Height	380mm	
25	Platform Length	800mm	
A	Capacity	2500 kg	
B	Unladen Weight	4950 kg	
C	Maximum Ground Speed	10 km/h	
D	Gradeability	7%	
E	AC Rear Drive	6 kW	
F	Battery	48 V x 775 Ah	
G	Fork Section	50mm x 100mm x 1150mm	
H	Vulkollan Front Tyre	OD 250mm / Width 75mm	
I	Solid Rubber Rear Tyre	OD 413mm / Width 178mm	
J	Standard Colour	Yellow & Grey	

## COMBi-MR

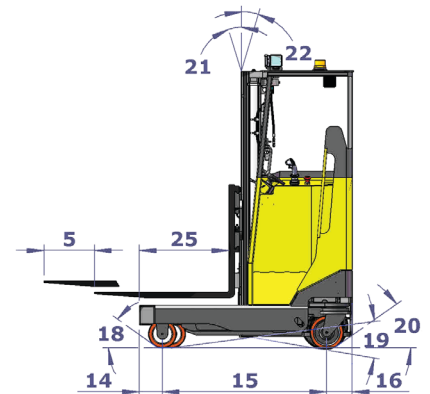
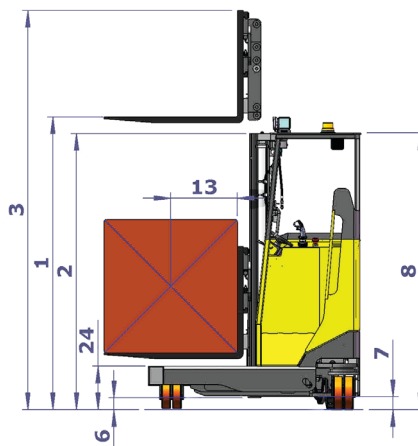
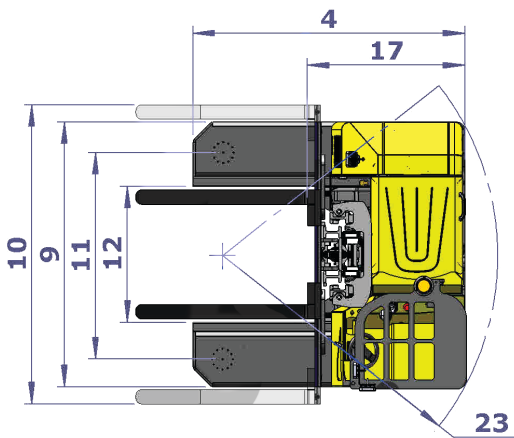
### Multi-directional Reach truck

This compact truck features one rear wheel drive with a large rubber tyre and 360° steering rotation. The multi-functional controlled joystick allows the operator to change direction and travel speed in a smooth seamless motion, in addition to full control of all the hydraulic functions. This contributes to faster procedures for manufacturing distribution and logistics operations.



#### Features Include:

- Standing Operator Over-Head Guard
- Multi-Directional Operation
- AC Electric Steering
- AC Motor Technology
- Multi-Function Joystick
- Optional Integrated Hydraulic Fork Positioner



Combilift has a policy of continuous product development and reserves the right to alter specifications without prior notice. Specifications and/or dimensions may vary from those illustrated in some countries.

Co. Monaghan  
Ireland

+353 47 80500

info@combilift.com

# COMBi-MR

combilift.com